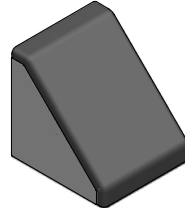
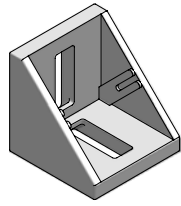
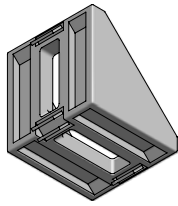
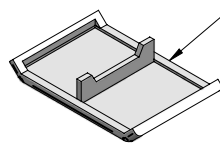
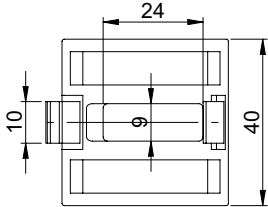


corner brackets  
for 40 series profiles

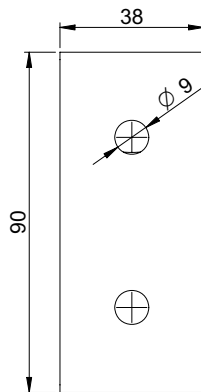
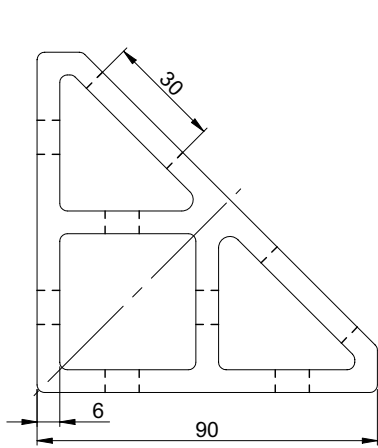
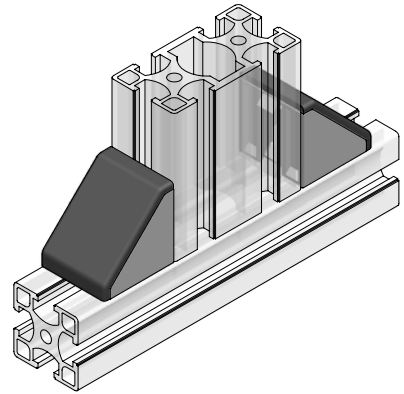
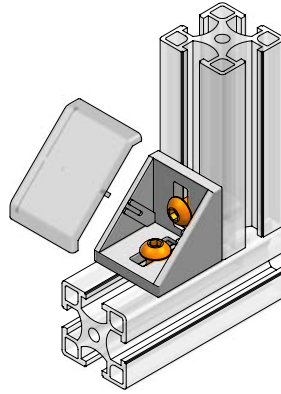
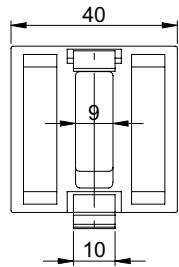
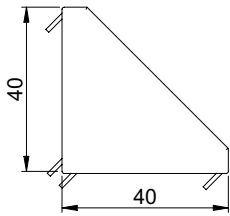


**40x40 corner bracket**  
**Part Number: 562.44**

used with 40 series profiles  
material: die cast aluminium



40x40 corner bracket  
endcap



**90x90 corner bracket**  
**Part Number: 562.99**

used with 40 series profiles  
material: aluminium

