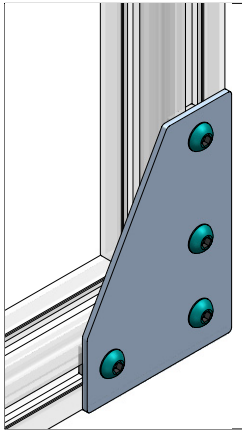


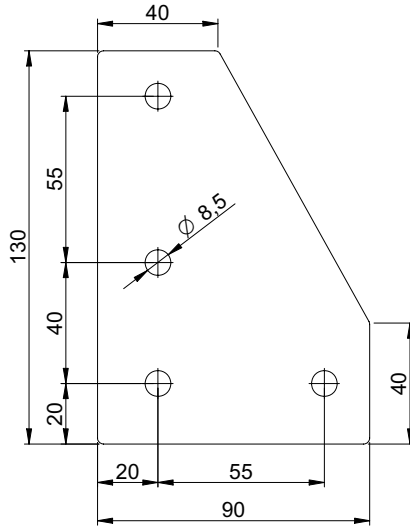
bracing plates for 40 series profiles

typical application

used with bracket connector when
additional joint strength is required

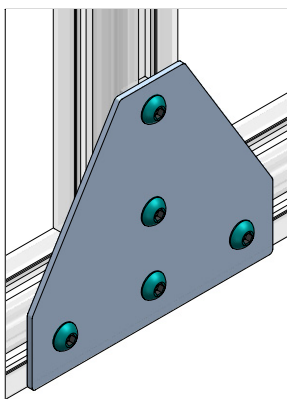


L - type bracing plate

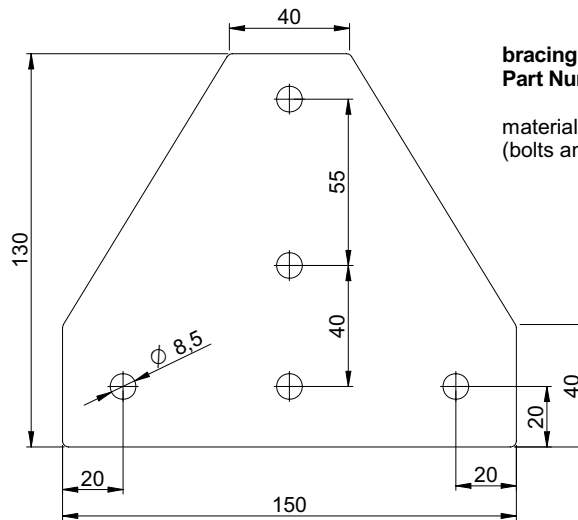


bracing plate - L type
Part Number: 562.24

material: 3mm mild steel, z/plated
(bolts and square nuts not included)



T - type bracing plate



bracing plate - T type
Part Number: 562.26

material: 3mm mild steel, z/plated
(bolts and square nuts not included)