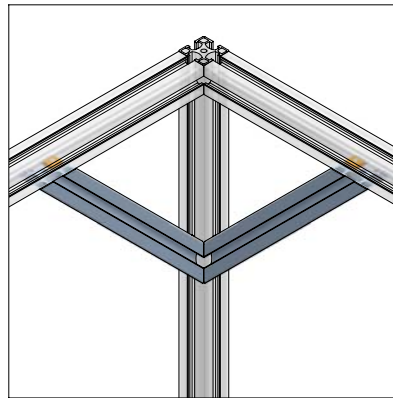
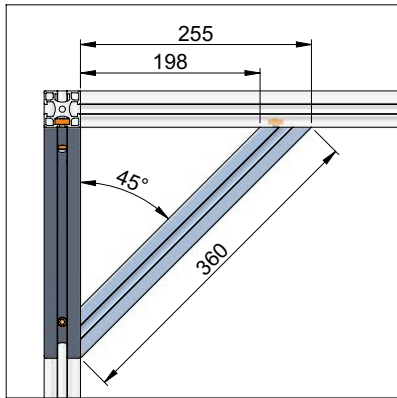


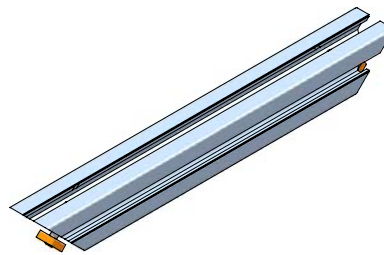
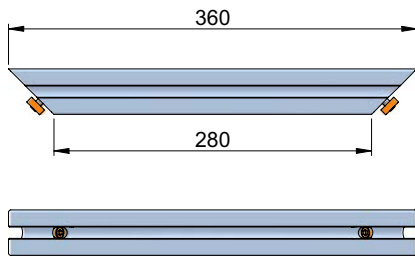
bracing element for 40 series profiles  
foundation bracket



typical application

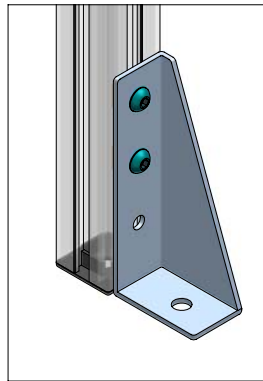
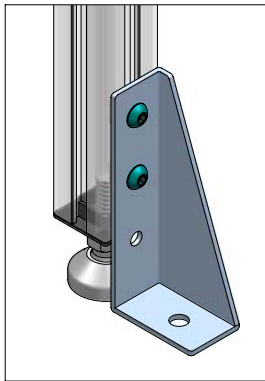
simple and fast way of reducing profiles bending or sagging under heavier vertical loads

reduces frames buckling and stabilize frame structure.



**bracing element 40x40 360mm**  
**Part Number: 562.30**

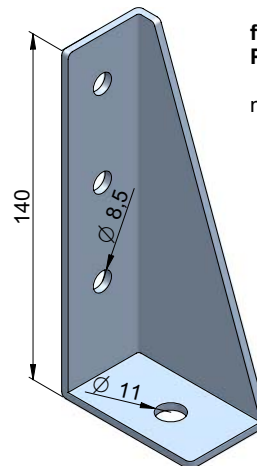
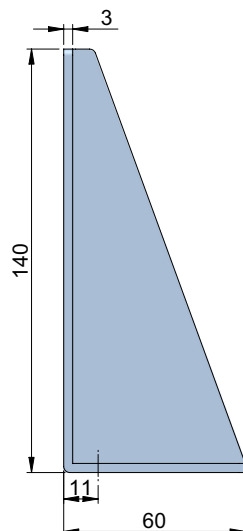
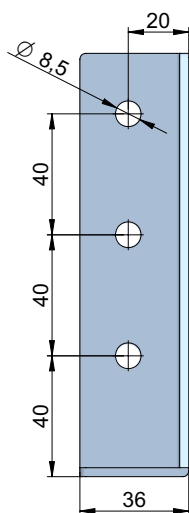
used only with 40 series profiles  
material: 40x40 profile  
(complete with bolt and square nut)



typical application

for floor or wall fastening in various positions

suitable for 30 and 40 series profiles



**foundation bracket**  
**Part Number: 560.10**

material: mild steel, z/plated