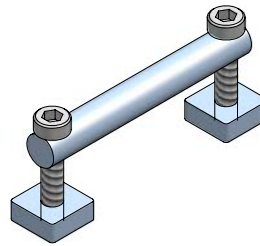
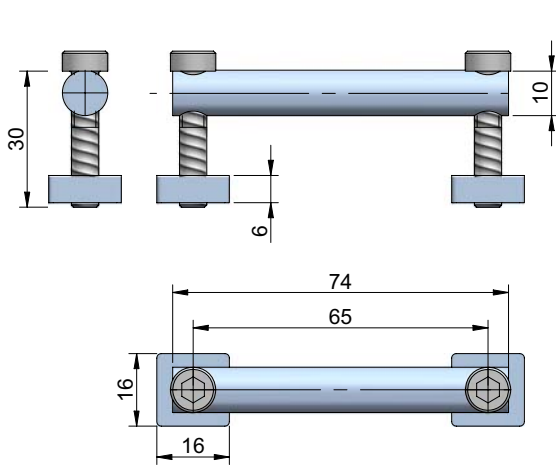
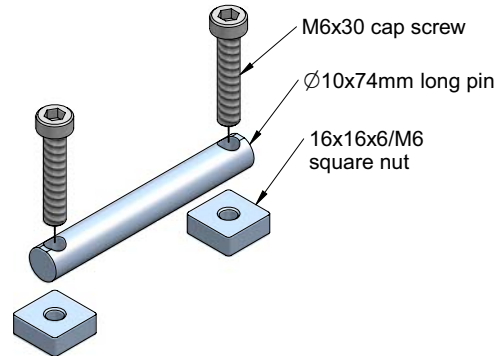


**bolt connector 80
for 40 series profiles (40x80 & 80x80)**



**bolt connector 80
Part Number: 056.03**

consisting of:
one 10mm pin, 74mm long
two M6x30 cap screws
two 16x16x6/M6 sq nuts



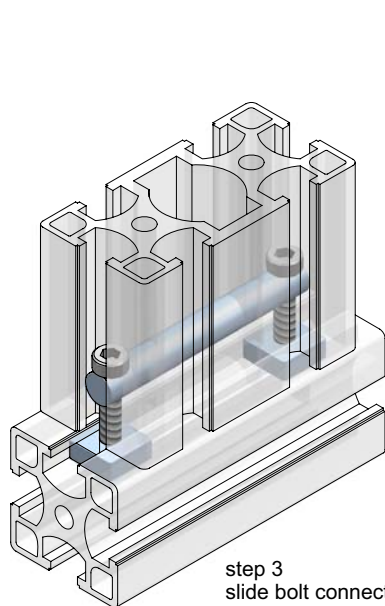
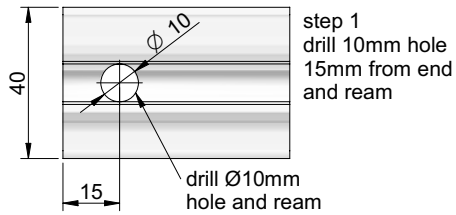
application

used in 40x80 and 80x80 profiles

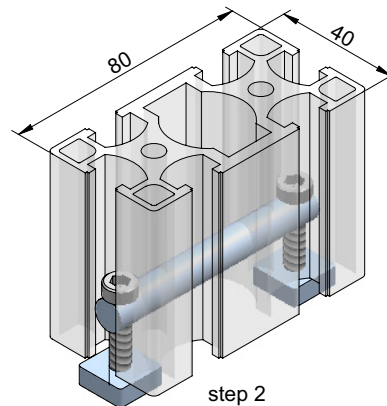
this type of connection applies for profiles which need to be moved subsequently.

recommended type of connection for addition into existing frames.

**bolt connector 80
drilling diagram**



step 3
slide bolt connector 80 into other profile,
position in location and
tighten firmly with 5mm allen key



step 2
assembly pin with bolts and
square nuts as shown