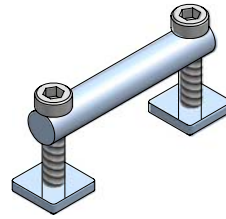
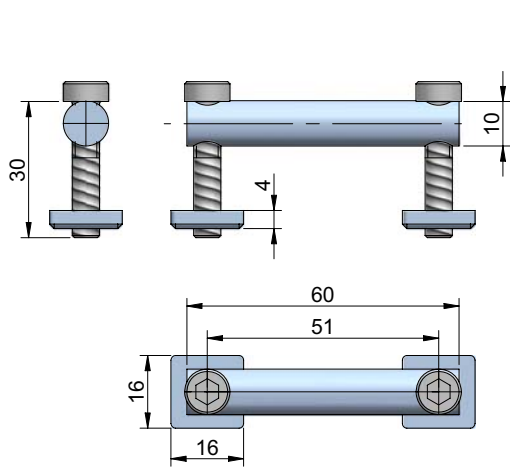
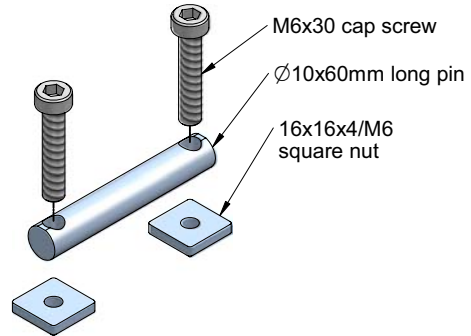


**bolt connector 60
for 30 series profiles (30x60 & 60x60)**



**bolt connector 60
Part Number: 056.06**

consisting of:
one 10mm pin, 60mm long
two M6x30 cap screws
two 16x16x4/M6 sq nuts



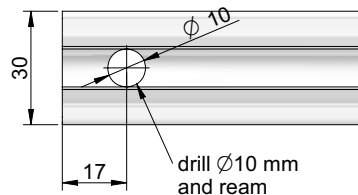
application

used in 30x60 and 60x60 profiles

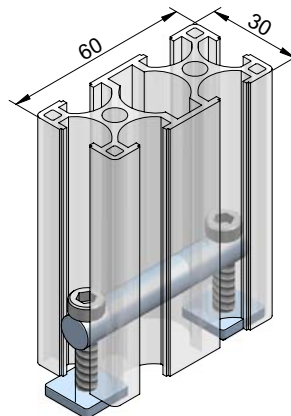
this type of connection applies for profiles which need to be moved subsequently.

recommended type of connection for addition into existing frames.

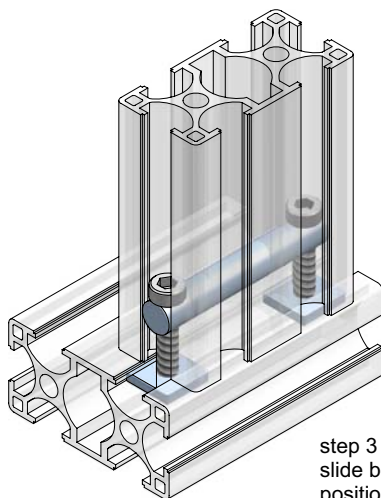
**bolt connector 60
drilling diagram**



step 1
drill 10mm hole
17mm from end
and ream



step 2
assembly pin with bolts and
square nuts as shown



step 3
slide bolt connector 60 into other profile,
position in location and
tighten firmly with 5mm allen key