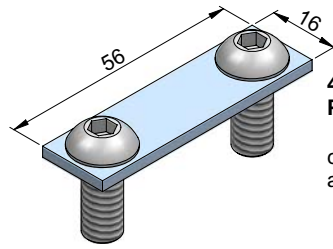
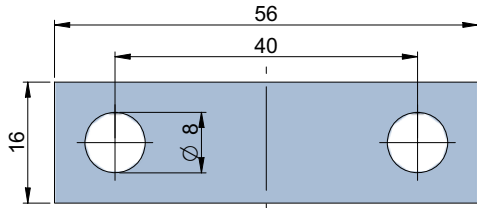
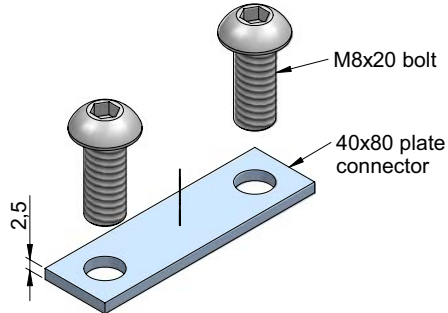


40x80 plate connector
for 40 series profiles (40x80 & 80x80)

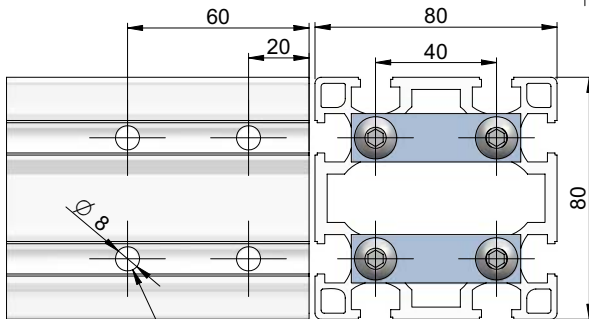


40x80 plate connector
Part Number: 046.48

consisting of two M8x20 bolts
and one 40x80 plate



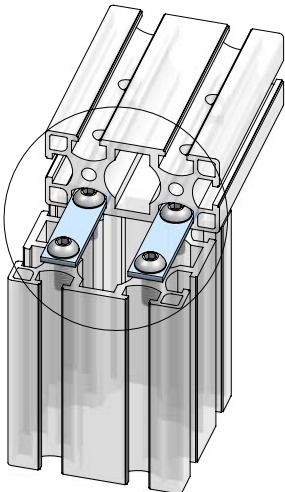
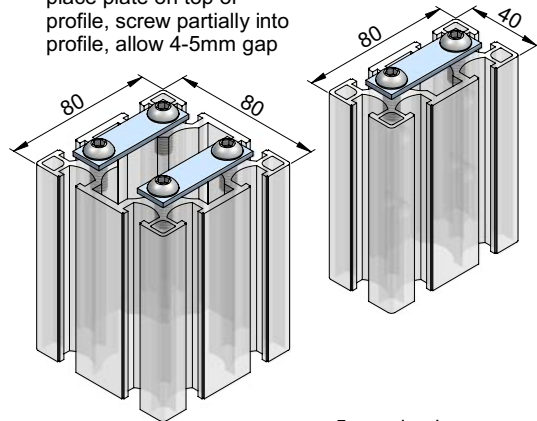
drilling diagram for
right angled connection



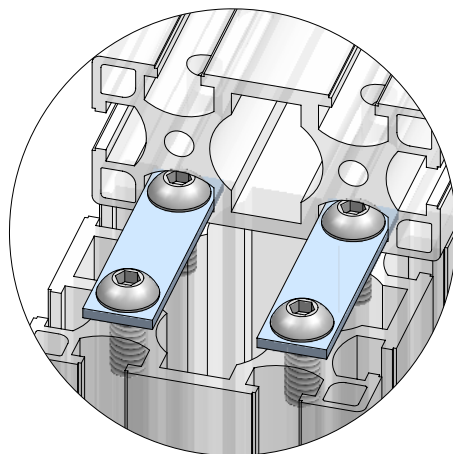
aluminum
access holes

step 2
place plate on top of
profile, screw partially into
profile, allow 4-5mm gap

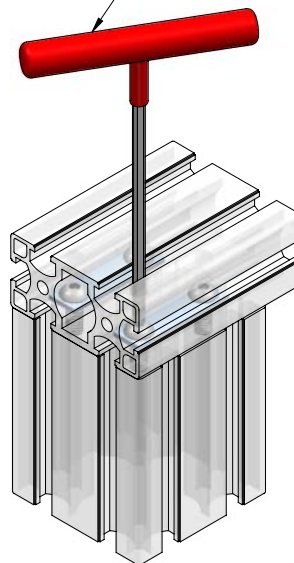
step 1
tap end M8,
both holes, 20mm deep



step 3
slide the other piece, line up
access hole with bolt in 40x80
plate assembly



5mm alen key



step 4
align faces, insert alen key
through access hole and
tighten firmly (max 12Nm)