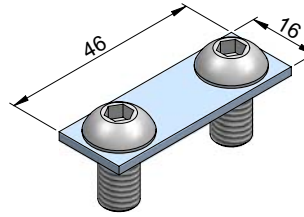
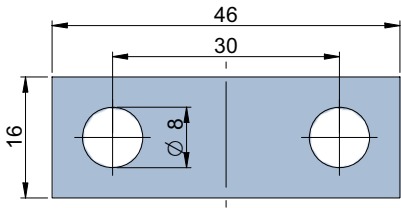
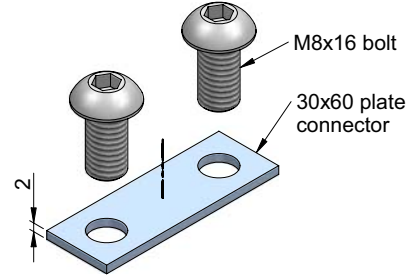


30x60 plate connector
for 30 series profiles (30x60 & 60x60)

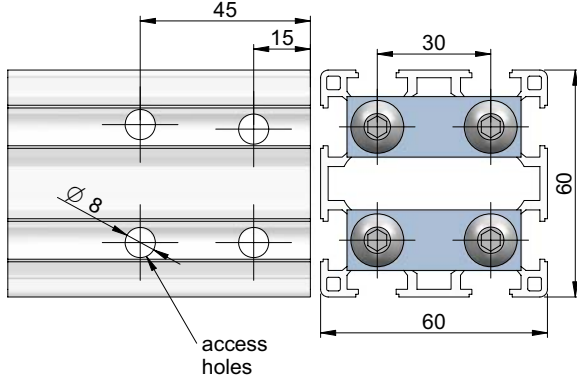


30x60 plate connector
Part Number: 046.36

consisting of two M8x16 bolts
and one 30x60 plate

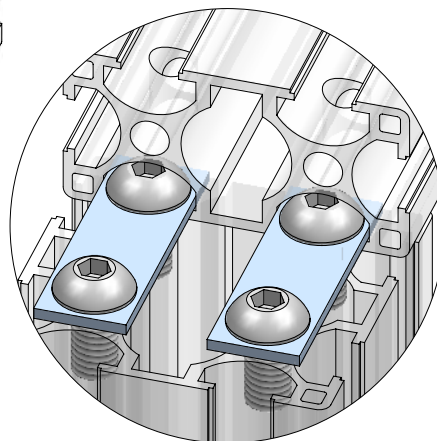
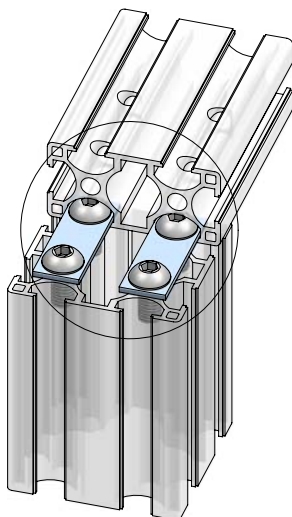
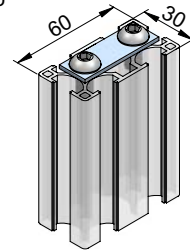
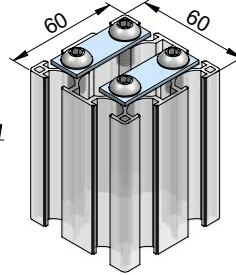


drilling diagram for
right angled connection

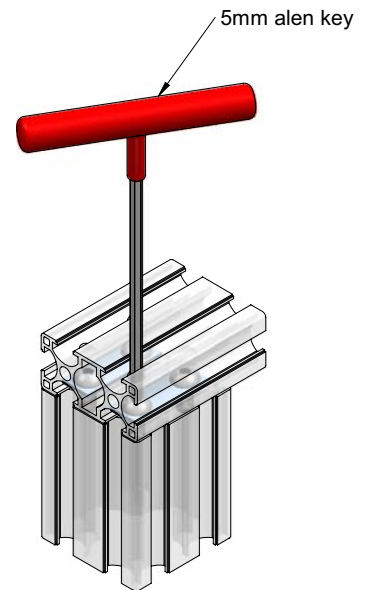


step 2
place plate on top of
profile, screw partially into
profile, allow 4-5mm gap

step 1
tap end M8,
20mm deep



step 3
slide the other piece, line up
access hole with bolt in 30x60
plate assembly



step 4
align faces, insert allen key
through access hole and
tighten firmly (max 12Nm)