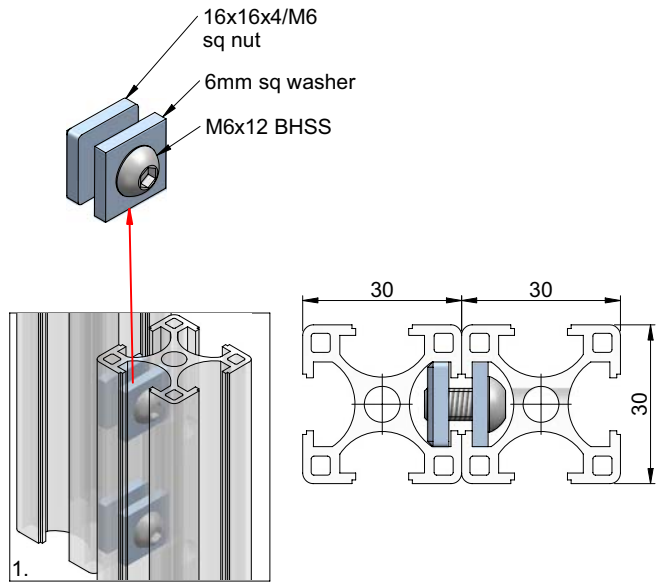


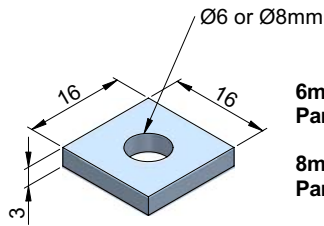
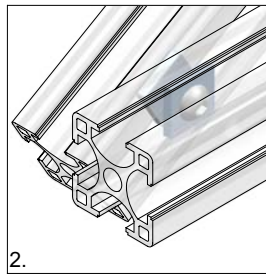
16x16x3 square washer  
for 30 and 40 series profiles



typical application

suitable for 30 and 40 series profiles for face fastening (slots are facing each other), angled connection. right angled connection when squared cut panels are used, for more details refer to page 31

not suitable for heavier loads

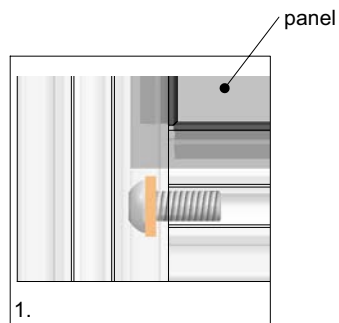
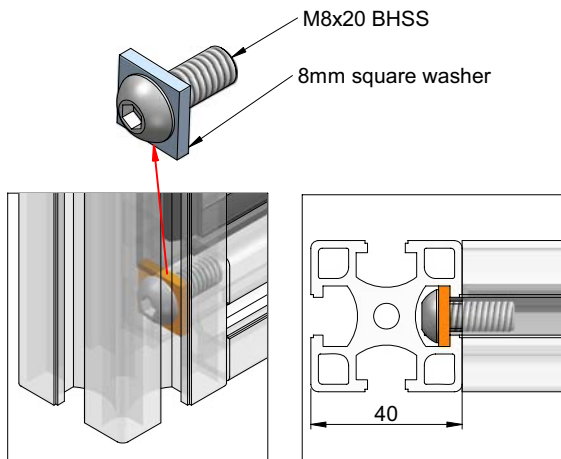


**6mm square washer**  
Part Number: 426.36

**8mm square washer**  
Part Number: 426.38

material: 3mm mild steel, z/plated

possible uses for 6mm square washer:  
1. join 30x30 to 30x30 profile  
2. angled connection



possible uses for 8mm square washer:  
1. 40x40 profiles with square cut panel  
for more details refer to page 31